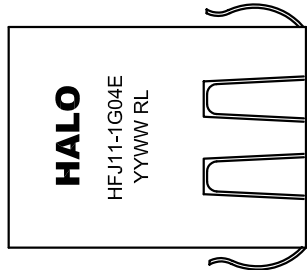




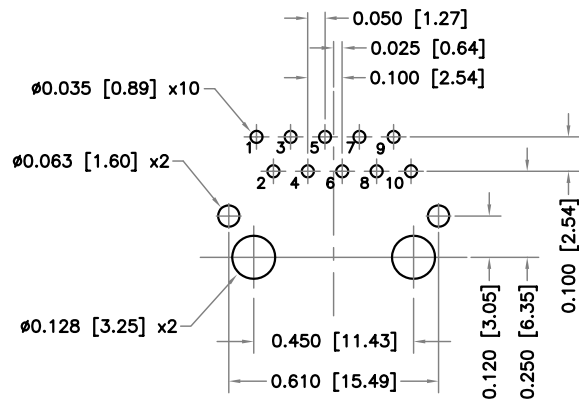
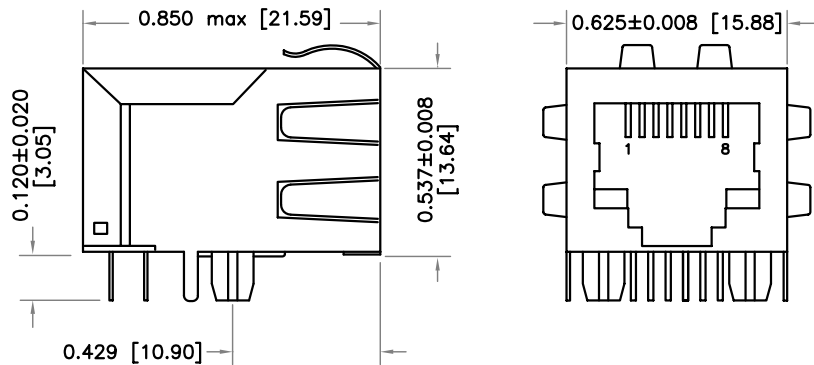
**PART NO. : HFJ11-1G04ERL**

FASTJACK™ WITH 1000BASE-T MAGNETICS  
LEAD-FREE/RoHS COMPLAINT

COMPATIBLE TO LEAD-FREE WAVE SOLDERING PROCESS  
FOR THROUGH HOLE COMPONENTS  
OPERATING TEMPERATURE 0/70°C



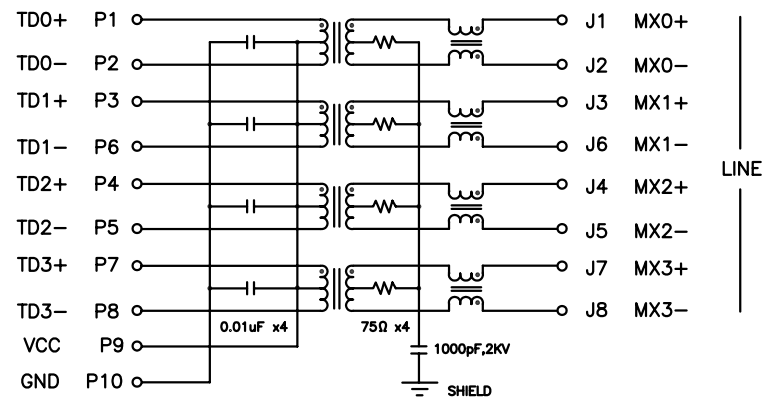
Housing Material: Polyester, Black UL94V-0  
Contacts: Phosphor Bronze 30µin Au plating over Ni  
Leads: Matte Sn plating  
Shield: Cu Alloy with Ni plating 40µin min  
Durability: 1000 mating cycles  
Dimensions: Inch [mm]  
Tolerances: ±0.008 inch if not specified



RECOMMENDED P.C. BOARD PATTERN (COMP. SIDE)

**ELECTRICAL SPECIFICATIONS @ 25° C**

URNS RATIO	1:1 ±3%
OCL (100KHz,0.1V,8mA)	350µH min
INSERTION LOSS 1-100MHz	-1.1dB max
RETURN LOSS 1-40MHz	-18dB min
60MHz	-14dB min
80MHz	-12dB min
100MHz	-10dB min
CROSTALK 1-100MHz	-35dB typ
CMR 1-30MHz	-50dB typ
30-60MHz	-40dB typ
60-100MHz	-35dB typ
ISOLATION	1,500Vrms



**HALO/PBL**

CALIFORNIA, USA  
KOWLOON, HONG KONG  
SINGAPORE

TITLE	FastJack™ SINGLE	SIGNATURES	DATE	REV.	DESC.	DATE
FOR	GIGABIT ETHERNET	DRAWN	PETER LU	1/4/06	A	
PART NO.	HFJ11-1G04ERL	CHECKED				
SCALE	NONE	APPROVED				
PAGE	1 OF 1	FILE	1G04ERL.DWG			