



PART NO. TG110-RP06NJRL

DUAL-PORT FAST ETHERNET OR ONE-PORT GIGABIT
ETHERNET ISOLATION MODULE

COMPLIANT WITH IEEE802.3af REQUIREMENTS

350mA CURRENT CARRYING CAPACITY ON LINE-SIDE
FOR PoE APPLICATIONS

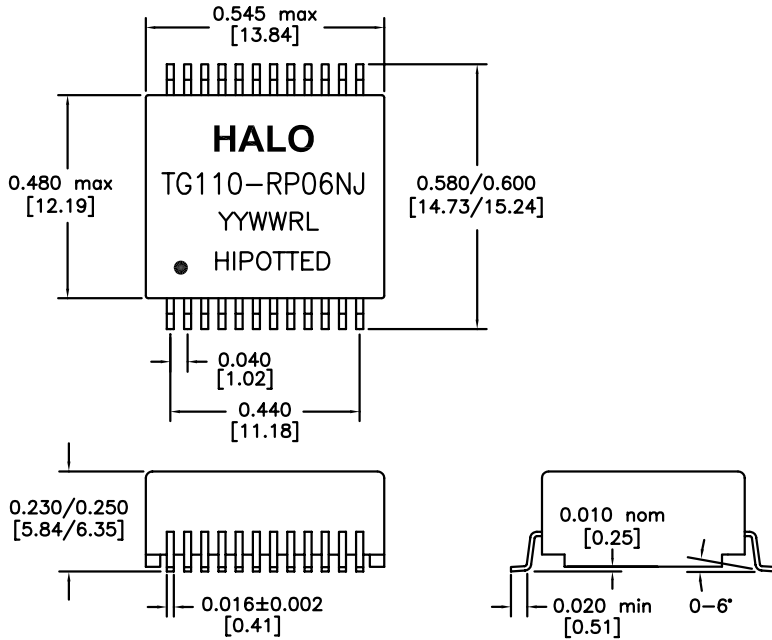
RoHS COMPLIANT

COMPATIBLE TO LEAD-FREE SOLDERING PROCESS
CONDITION PER IPC/JEDEC J-STD-020C

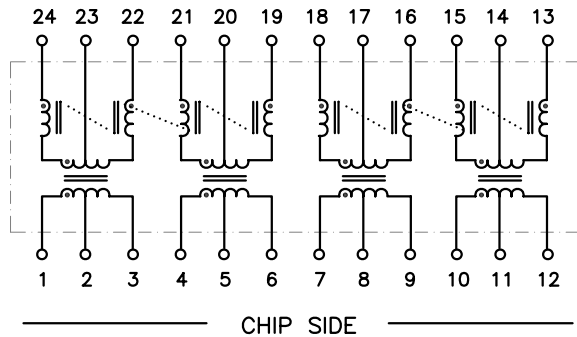
OPERATING TEMPERATURE 0/+70°C

ELECTRICAL SPECIFICATIONS @ 25° C

OCL (100KHz,0.1Vrms,8mA)	350µH min
URNS RATIO	1CT:1CT ±2%
DCR (CHIP SIDE)	0.9Ω max
INSERTION LOSS	
1-100MHz	-1.1dB max
RETURN LOSS	
1-40MHz	-18dB min
60MHz	-14dB min
80MHz	-12dB min
100MHz	-10dB min
CROSSTALK 1-100MHz	-38dB typ
CMR 1-100MHz	-38dB typ
ISOLATION	1,500Vrms



DIMENSIONS: Inch [mm]
CO-PLANARITY: 0.004 [0.10]
TOLERANCES: ±0.005 INCH IF NOT SPECIFIED



HALO/PBL

CALIFORNIA, USA
KOWLOON, HONG KONG
SINGAPORE

TITLE	ISOLATION MODULE		SIGNATURES	DATE	REV.	DESC.	DATE
	FOR	IEEE802.3af APPLICATIONS	DRAWN PAUL MORKEN	6/8/05	A	FIRST ISSUE	6/8/05
	PART NO.	TG110-RP06NJRL	CHECKED LEI KEONG	9/29/05	B	UPDATE	6/27/05
	SCALE	NONE	APPROVED PETER LU	9/29/05	C	PROD. RELEASE	9/29/05
	PAGE	1 OF 1	FILE	RP06NJRL.DWG			