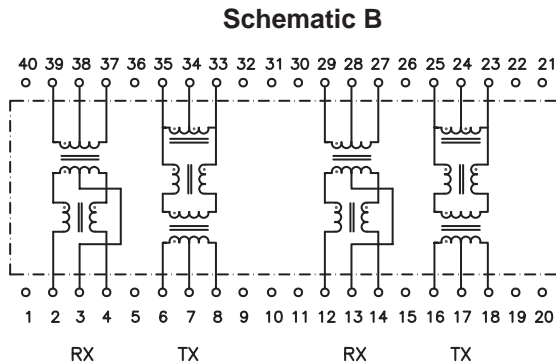
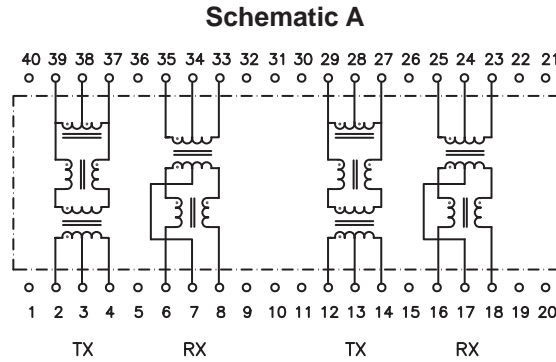
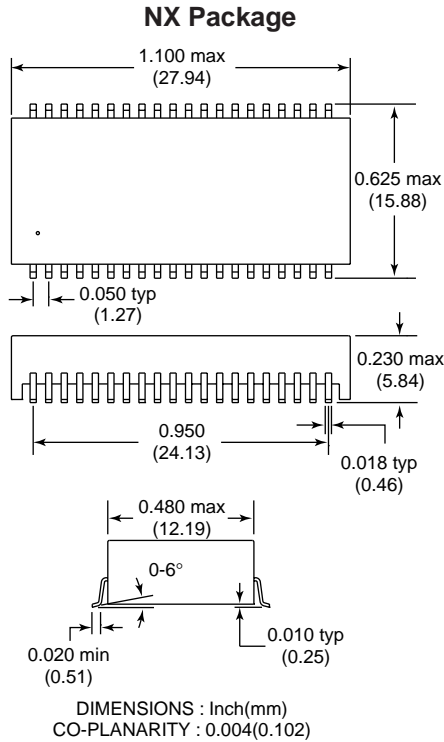


HALO Dual Port SMD 10/100 Isolation Modules

HALO Electronics has developed this high performance series of "Dual Port" 10/100 Isolation Modules to specifically address the isolation, insertion loss and return loss requirements of IEEE 802.3u. Available in an easy to use, 40 pin low profile package. Isolation Modules are available for most LAN IC manufacturer's products. To select the correct Isolation Module please refer to the HALO Electronics 10/100 Selector Guide or contact your local HALO sales representative.



Patented Construction

US Patents: 5,656,985; 6,297,721 B1; 6,297,720 B1; 6,320,489 B1; 6,344,785 B1

Electrical Specifications @ 25°C

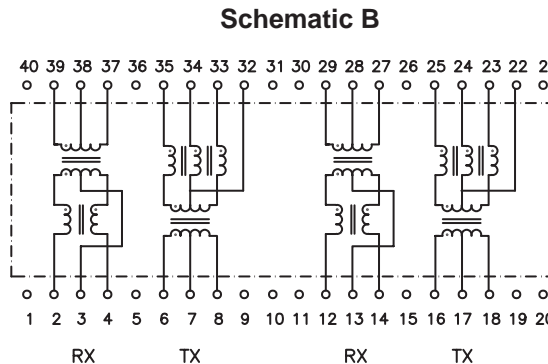
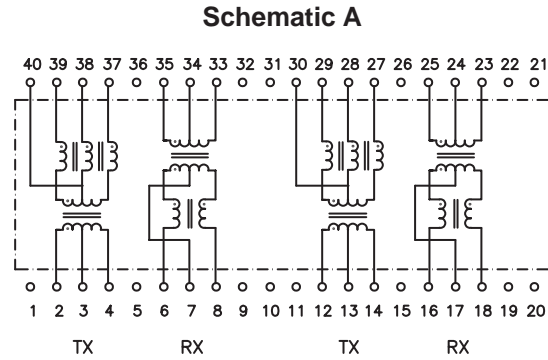
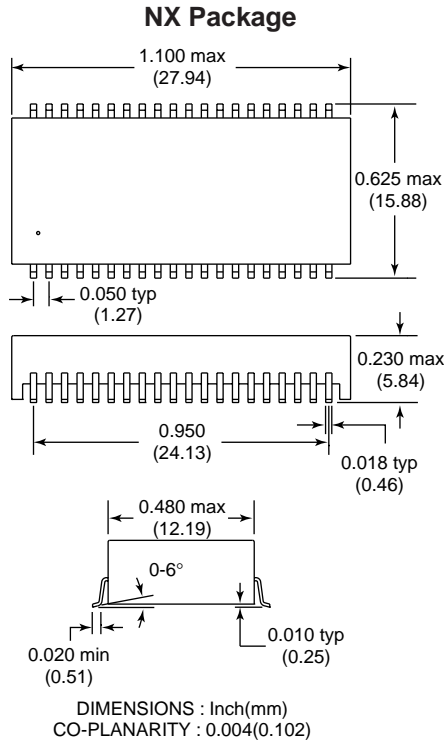
Isolation Voltage:	1,500 Vrms	DCR:	0.9 Ω Max.
OCL (100KHz, 0.1Vrms, 8mA):	350 μH Min.	Rise Time:	2.5 nS Typ.
Leakage Inductance (1MHz):	0.4 μH Max.	Cross Talk (0.1-100 MHz):	-38 dB Min.
Cw/w:	20 pF Typ.	CMR (0.1-100MHz):	-40 dB Typ.

Part Number	Turns Ratio		Circuit Positions	Schematic
	TX	RX		
TG110-3506NX	1CT:1CT	1CT:1CT	TX-RX, TX-RX	A
TG110-S025NX	1CT:1CT	1CT:1CT	RX-TX, RX-TX	B
TG110-S220NX	2CT:1CT	1CT:1CT	TX-RX, TX-RX	A
TG110-S225NX	2CT:1CT	1CT:1CT	RX-TX, RX-TX	B
TG110-S237NX	1.25CT:1CT	1CT:1CT	RX-TX, RX-TX	B
TG110-S238NX	1.25CT:1CT	1CT:1CT	TX-RX, TX-RX	A
TG110-S241NX	1CT:√2CT	1CT:1CT	RX-TX, RX-TX	B
TG110-S242NX	1CT:√2CT	1CT:1CT	TX-RX, TX-RX	A

Note: Please contact the factory for detailed data sheets.

HALO Dual Port SMD 10/100 Isolation Modules

HALO Electronics has developed this standard series of low cost "Dual Port" 10/100 Isolation Modules to specifically address the isolation, insertion loss requirements of IEEE 802.3u. Available in an easy to use, 40 pin low profile package. Pin for pin interchangeable with HALO high performance dual port devices. Isolation Modules are available for most LAN IC manufacturer's products. To select the correct Isolation Module please refer to the HALO Electronics 10/100 Selector Guide or contact your local HALO representative.



Patented Construction

US Patents: 5,656,985; 6,297,721 B1; 6,297,720 B1; 6,320,489 B1; 6,344,785 B1

Electrical Specifications @ 25°C

Isolation Voltage:	1,500 Vrms	DCR:	0.9 Ω Max.
OCL (100KHz, 0.1Vrms, 8mA):	350 μH Min.	Rise Time:	2.5 nS Typ.
Leakage Inductance (1MHz):	0.4 μH Max.	Cross Talk (0.1-100 MHz):	-38 dB Min.
Cw/w:	20 pF Typ.	CMR (0.1-100MHz):	-35 dB Typ.

Part Number	Turns Ratio		Circuit Positions	Schematic
	TX	RX		
TG110-S035NX	1CT:1CT	1CT:1CT	RX-TX, RX-TX	B
TG110-S222NX	2CT:1CT	1CT:1CT	TX-RX, TX-RX	A
TG110-S227NX	2CT:1CT	1CT:1CT	RX-TX, RX-TX	B
TG110-S235NX	1.25CT:1CT	1CT:1CT	TX-RX, TX-RX	A
TG110-S236NX	1.25CT:1CT	1CT:1CT	RX-TX, RX-TX	B
TG110-S243NX	1CT:√2CT	1CT:1CT	RX-TX, RX-TX	B
TG110-S244NX	1CT:√2CT	1CT:1CT	TX-RX, TX-RX	A
TG110-S335NX	1CT:1CT	1CT:1CT	TX-RX, TX-RX	A

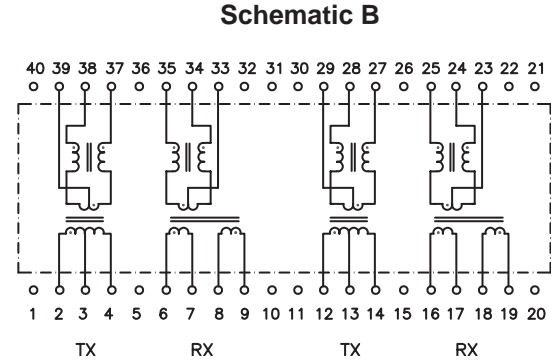
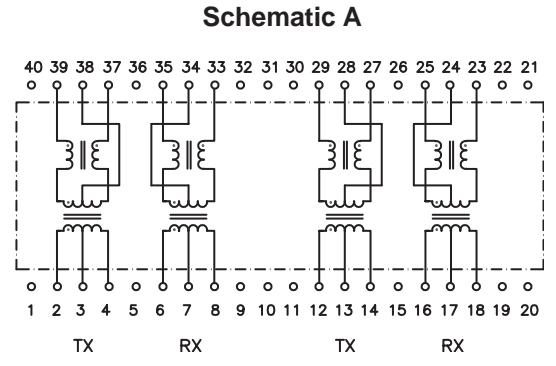
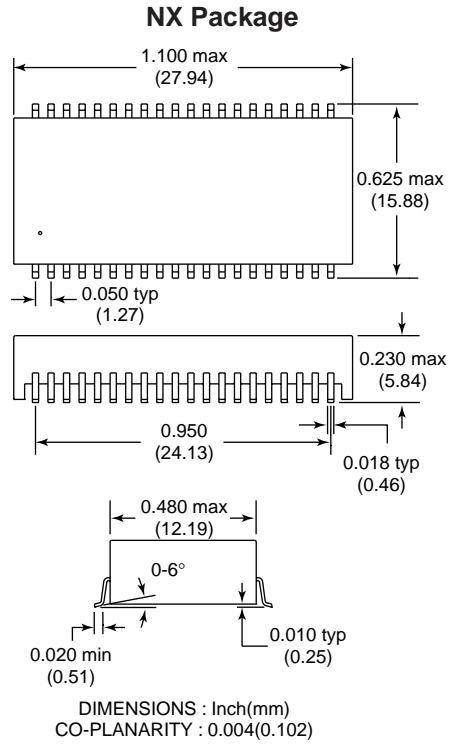
Note: Please contact the factory for detailed data sheets.

HALO Dual Port SMD 10/100 Isolation Modules

HALO Electronics has developed this standard series of "Dual Port" 10/100 Isolation Modules to specifically address the isolation, insertion loss and return loss requirements of IEEE 802.3u. Available in an easy to use, 40 pin low profile package. Isolation Modules are available for most LAN IC manufacturer's products. To select the correct Isolation Module please refer to the HALO Electronics 10/100 Selector Guide or contact your local HALO sales representative.



Dual Port SMD 10/100 Isolation Modules



Patented Construction

US Patents: 5,656,985; 6,297,721 B1; 6,297,720 B1; 6,320,489 B1; 6,344,785 B1

Electrical Specifications @ 25°C

Isolation Voltage:	1,500 Vrms	DCR:	0.9 Ω Max.
OCL (100KHz, 0.1Vrms, 8mA):	350 μH Min.	Rise Time:	2.5 nS Typ.
Leakage Inductance (1MHz):	0.4 μH Max.	Cross Talk (0.1-100 MHz):	-38 dB Min.
Cw/w:	20 pF Typ.	CMR (0.1-100MHz):	-40 dB Typ.

Part Number	Turns Ratio		Circuit Positions	Schematic
	TX	RX		
TG110-S231NX	√2CT:1CT	1CT:1CT	TX-RX, TX-RX	A
TG110-S239NX	1.25CT:1CT	1CT:1CT	TX-RX, TX-RX	A
TG110-S046NX	2CT : 1CT	1 : 1 : 1CT	TX-RX, TX-RX	B

Note: Please contact the factory for detailed data sheets.