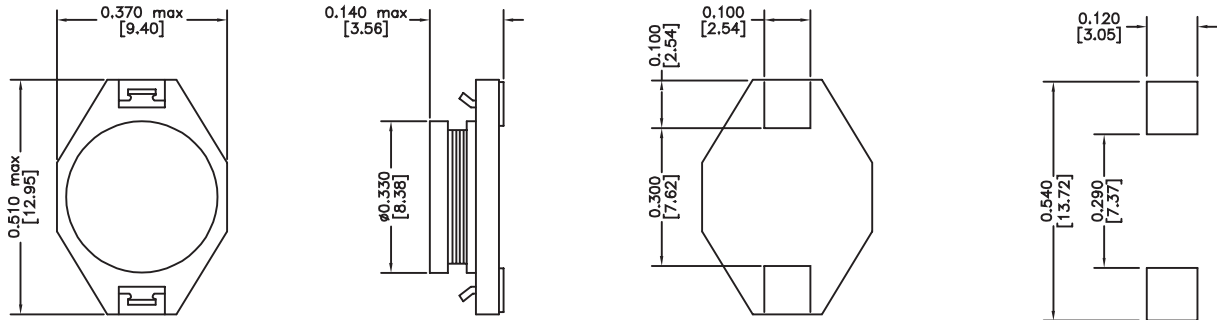




SMT Low Profile Power Inductors

HALO ELECTRONICS, INC.

HALO Electronics, Inc. is pleased to present this low cost series of miniature power inductors. The 140 series is ideal for portable equipment such as handheld PDA's, palmtop computers as well as test equipment. Available with inductance ratings from 10 μ H to 1000 μ H. Designed to handle up to 2 Amps of current. Non-standards are also available. Please contact your local HALO representative.



DIMENSIONS : Inch [mm]

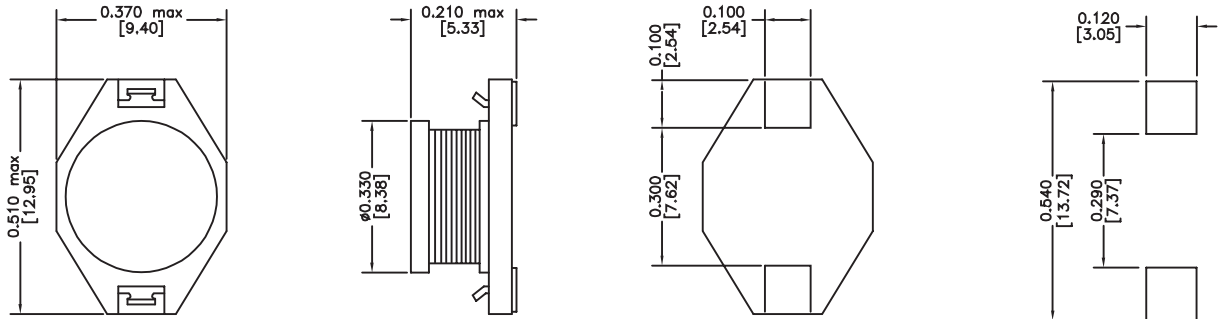
Part Number	OCL (μ H \pm 20%)	DCR (ohm max)	SRF (MHz typ)	Isat (A)	Irms (A)
LS-DC140-103	10	0.11	35	2.4	2.0
LS-DC140-153	15	0.15	33	2.0	1.5
LS-DC140-223	22	0.23	25	1.6	1.3
LS-DC140-333	33	0.30	19	1.4	1.1
LS-DC140-473	47	0.39	14	1.0	0.8
LS-DC140-683	68	0.66	12	0.9	0.7
LS-DC140-104	100	0.84	10	0.7	0.6
LS-DC140-154	150	1.20	8.0	0.6	0.5
LS-DC140-224	220	1.9	6.0	0.5	0.4
LS-DC140-334	330	2.7	5.0	0.4	0.3
LS-DC140-474	470	4.0	4.0	0.3	0.2
LS-DC140-684	680	5.3	3.0	0.2	0.1
LS-DC140-105	1000	8.4	2.5	0.1	0.05



205 Series, SMT Power Inductors

HALO
ELECTRONICS, INC.

HALO Electronics, Inc. is pleased to present this low cost series of miniature power inductors. The high energy storage capability makes the 205 series ideal for DC-DC conversion in handheld PDA's and notebook computers.



DIMENSIONS : Inch [mm]

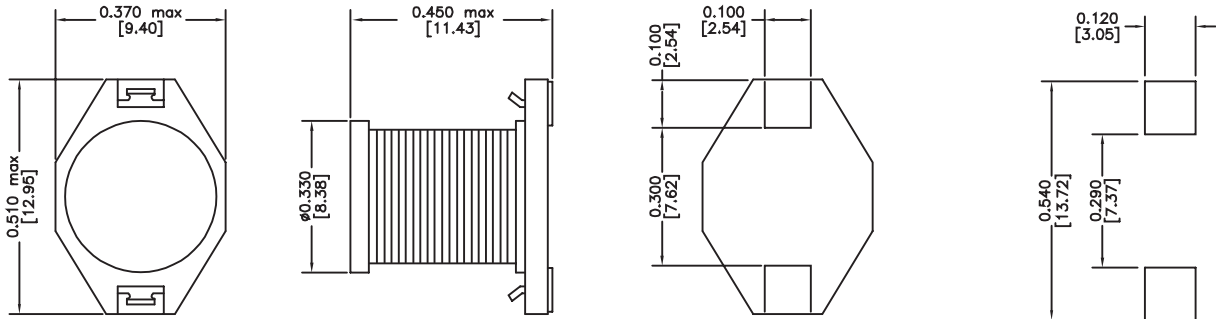
Part Number	OCL ($\mu\text{H} \pm 20\%$)	DCR (ohm max)	SRF (MHz typ)	Isat (A)	Irms (A)
LS-DC205-102	1.0	.009	100	9.0	6.8
LS-DC205-152	1.5	.010	90	8.0	6.4
LS-DC205-222	2.2	.012	80	7.0	6.1
LS-DC205-332	3.3	.015	65	6.4	5.4
LS-DC205-472	4.7	.018	45	5.4	4.8
LS-DC205-682	6.8	.027	38	4.6	4.4
LS-DC205-103	10	.038	30	3.8	3.9
LS-DC205-153	15	.046	27	3.0	3.1
LS-DC205-223	22	.085	19	2.6	2.7
LS-DC205-333	33	0.10	15	2.0	2.1
LS-DC205-473	47	0.14	12	1.6	1.8
LS-DC205-683	68	0.20	10	1.4	1.5
LS-DC205-104	100	0.28	9.0	1.2	1.3
LS-DC205-154	150	0.40	6.0	1.0	1.0
LS-DC205-224	220	0.61	5.0	0.8	0.8
LS-DC205-334	330	1.02	4.5	0.6	0.6
LS-DC205-474	470	1.27	3.5	0.5	0.5
LS-DC205-684	680	2.02	2.5	0.4	0.4
LS-DC205-105	1000	3.00	2.0	0.3	0.3



HALO

High Profile, SMT Power Inductors ELECTRONICS, INC.

HALO Electronics, Inc. is pleased to present the 450 series. This high current, low cost series of power inductors provides excellent current handling capabilities. Non Standard versions are available. Please contact your local HALO representative.



DIMENSIONS : Inch [mm]

Part Number	OCL ($\mu\text{H} \pm 20\%$)	DCR (ohm max)	SRF (MHz typ)	Isat (A)	Irms (A)
LS-DC450-103	10	0.04	22.0	8.0	3.5
LS-DC450-153	15	0.05	18.0	7.0	3.0
LS-DC450-223	22	0.066	11.0	5.5	2.5
LS-DC450-333	33	0.08	9.0	4.0	2.0
LS-DC450-473	47	0.11	8.0	3.8	1.6
LS-DC450-683	68	0.17	7.0	3.0	1.2
LS-DC450-104	100	0.22	5.0	2.5	1.2
LS-DC450-154	150	0.34	4.0	2.0	0.9
LS-DC450-224	220	0.44	3.5	1.6	0.7
LS-DC450-334	330	0.70	2.5	1.2	0.6
LS-DC450-474	470	0.95	2.0	1.0	0.3
LS-DC450-684	680	1.20	2.0	1.0	0.2
LS-DC450-105	1000	2.00	1.5	0.8	0.1