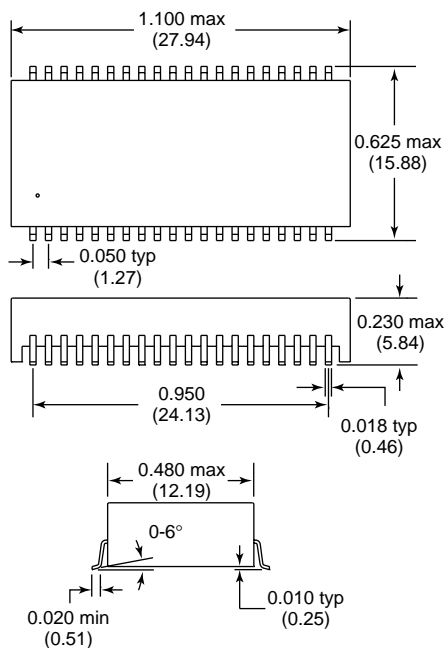




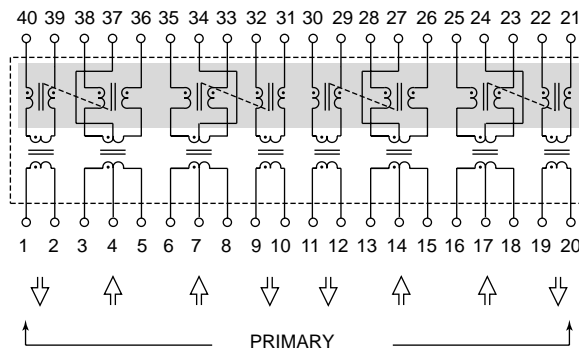
HALO Electronics has developed the Quatra™ series of 4 port SMD 10BASE-T Isolation Modules to meet the requirements of IEEE 802.3. Three levels of CMC performance are available. Designed for multiport Repeater and Switched Ethernet applications utilizing double stacked RJ-45 connectors.

NX Package



DIMENSIONS : Inch(mm)
CO-PLANARITY : 0.004(0.102)

Circuit Schematic



Electrical Specifications @ 25°C

Pri /Sec Isolation: 1,500Vrms
Insulation Resistance: 10,000 MΩ
CMC Inductance: 36μH Min.

Patented Construction

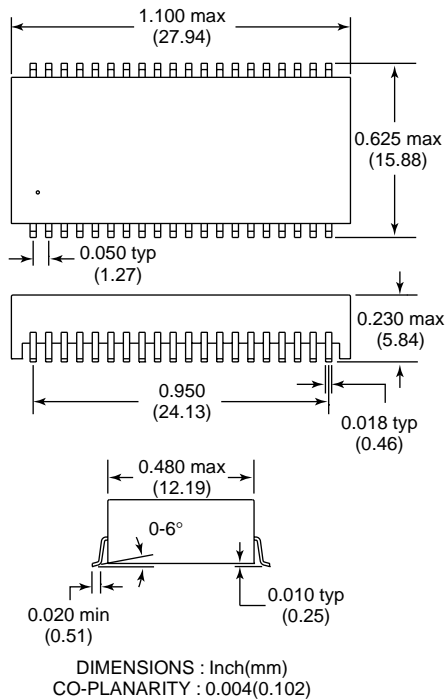
US Pat Nbrs: 5,656,985
6,297,721 B1
6,297,720 B1
6,320,489 B1
6,344,785 B1

Part Number	Turns Ratio ±3%		TX / RX PRI OCL (μH typ)	PRI / SEC Cw/w (pF max)	TX / RX PRI LL (μH max)	TX / RX PRI DCR (Ω max)	Optional CMR Choke
	TX	RX					
TG44-1406NX	1CT:√2	1:1	140 / 140	12	0.4 / 0.4	0.40 / 0.40	N/A
TG45-1406NX	1CT:√2CT	1:1	140 / 140	12	0.4 / 0.4	0.40 / 0.40	TX
TG46-1406NX	1CT:√2CT	1:1	140 / 140	12	0.4 / 0.4	0.40 / 0.40	TX / RX
TG57-1006NX	1CT:1	1:1	100 / 100	12	0.3 / 0.3	0.30 / 0.30	N/A
TG58-1006NX	1CT:1CT	1:1	100 / 100	12	0.3 / 0.3	0.30 / 0.30	TX
TG59-1006NX	1CT:1CT	1:1	100 / 100	12	0.3 / 0.3	0.30 / 0.30	TX / RX
TG62-1006NX	2CT :1	1:1	150 / 150 Min	10	0.6 / 0.3	0.35 / 0.35	N/A
TG66-1006NX	2CT :1CT	1:1	150 / 150 Min	10	0.9 / 0.3	0.35 / 0.35	TX / RCV
TG87-2006NX	1CT:2	1:1	50 / 200 Min	12	0.3 / 0.3	0.35 / 0.50	N/A
TG88-2006NX	1CT:2CT	1:1	50 / 200 Min	12	0.3 / 0.3	0.35 / 0.50	TX
TG89-2006NX	1CT:2CT	1:1	50 / 200 Min	12	0.3 / 0.3	0.35 / 0.50	TX / RX

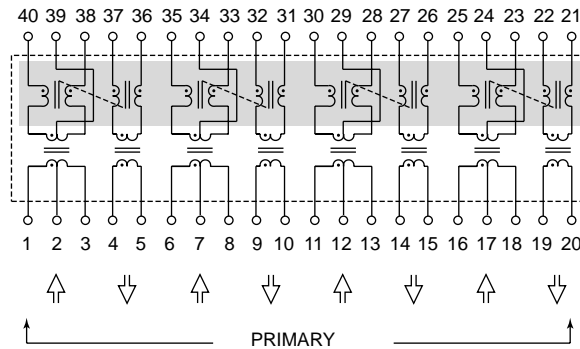
HALO Electronics has developed the Quatra™ series of 4 port SMD 10BASE-T Isolation Modules to meet the requirements of IEEE 802.3. Three levels of CMC performance are available. Designed for multiport Repeater and Switched Ethernet applications utilizing single level RJ-45 connectors.



NX Package



Circuit Schematic



Electrical Specifications @ 25°C

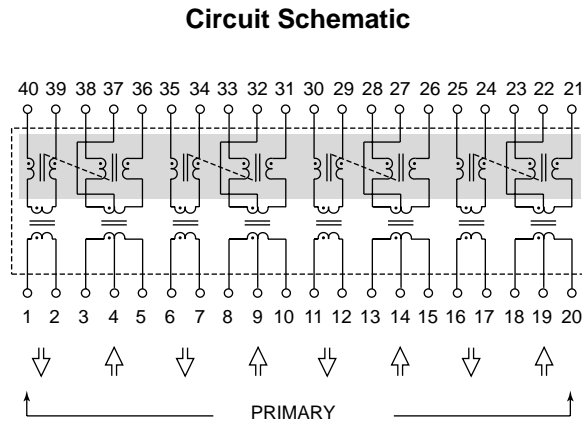
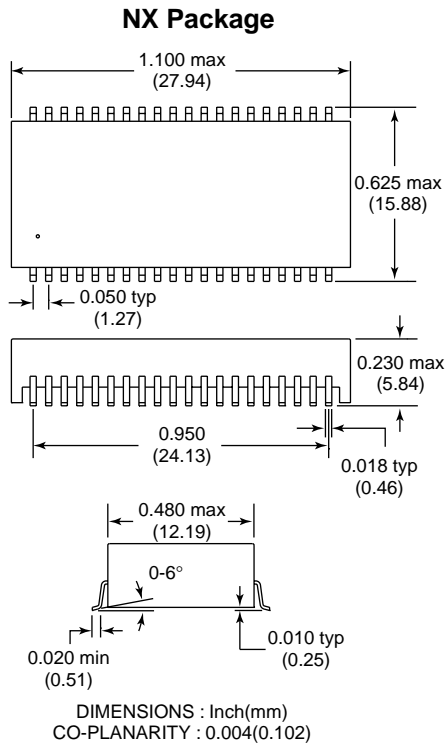
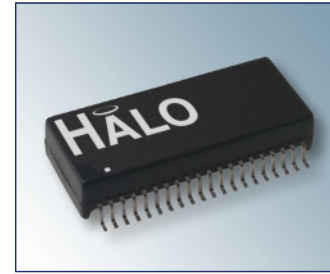
Pri /Sec Isolation: 1,500Vrms
Insulation Resistance: 10,000 MΩ
CMC Inductance: 36μH Min.

Patented Construction

US Pat Nbrs: 5,656,985
6,297,721 B1
6,297,720 B1
6,320,489 B1
6,344,785 B1

Part Number	Turns Ratio ±3% TX	RX	TX / RX PRI OCL (μH typ)	PRI / SEC Cw/w (pF max)	TX / RX PRI LL (μH max)	TX / RX PRI DCR (Ω max)	Optional CMR Choke
TG41-S010NX	1CT:2.5CT	1:1	35/ 200 Min	15	0.1 / 0.4	0.30 / 0.50	TX / RX
TG44-S010NX	1CT:√2	1:1	140 / 140	12	0.4 / 0.4	0.40 / 0.40	N/A
TG45-S010NX	1CT:√2CT	1:1	140 / 140	12	0.4 / 0.4	0.40 / 0.40	TX
TG46-S010NX	1CT:√2CT	1:1	140 / 140	12	0.4 / 0.4	0.40 / 0.40	TX / RX
TG57-S010NX	1CT:1	1:1	100 / 100	12	0.3 / 0.3	0.30 / 0.30	N/A
TG58-S010NX	1CT:1CT	1:1	100 / 100	12	0.3 / 0.3	0.30 / 0.30	TX
TG59-S010NX	1CT:1CT	1:1	100 / 100	12	0.3 / 0.3	0.30 / 0.30	TX / RX
TG62-S010NX	2CT :1	1:1	150 / 150 Min	10	0.6 / 0.3	0.35 / 0.35	N/A
TG66-S010NX	2CT :1CT	1:1	150 / 150 Min	10	0.9 / 0.3	0.35 / 0.35	TX / RCV
TG87-S010NX	1CT:2	1:1	50 / 200 Min	12	0.3 / 0.3	0.35 / 0.50	N/A
TG88-S010NX	1CT:2CT	1:1	50 / 200 Min	12	0.3 / 0.3	0.35 / 0.50	TX
TG89-S010NX	1CT:2CT	1:1	50 / 200 Min	12	0.3 / 0.3	0.35 / 0.50	TX / RX

HALO Electronics has developed the Quatra™ series of 4 port SMD 10BASE-T Isolation Modules to meet the requirements of IEEE 802.3. Three levels of CMC performance are available. Designed for multiport Repeater and Switched Ethernet applications utilizing single level RJ-45 connectors.



Electrical Specifications @ 25°C

Pri /Sec Isolation: 1,500Vrms
Insulation Resistance: 10,000 MΩ
CMC Inductance: 36μH Min.

Patented Construction

US Pat Nbrs: 5,656,985
6,297,721 B1
6,297,720 B1
6,320,489 B1
6,344,785 B1

Part Number	Turns Ratio ±3%	PRI OCL	PRI / SEC	TX / RX	TX / RX	TX / RX	Optional
	TX RX	(μH typ)	Cw/w	PRI LL	PRI DCR	(Ω max)	CMR
			(pF max)	(μH max)	(Ω max)		Choke
TG44-S020NX	1CT:√2	1:1	140 / 140	12	0.4 / 0.4	0.40 / 0.40	N/A
TG45-S020NX	1CT:√2CT	1:1	140 / 140	12	0.4 / 0.4	0.40 / 0.40	TX
TG46-S020NX	1CT:√2CT	1:1	140 / 140	12	0.4 / 0.4	0.40 / 0.40	TX / RX
TG57-S020NX	1CT:1	1:1	100 / 100	12	0.3 / 0.3	0.30 / 0.30	N/A
TG58-S020NX	1CT:1CT	1:1	100 / 100	12	0.3 / 0.3	0.30 / 0.30	TX
TG59-S020NX	1CT:1CT	1:1	100 / 100	12	0.3 / 0.3	0.30 / 0.30	TX / RX
TG62-S020NX	2CT :1	1:1	150 / 150 Min	10	0.6 / 0.3	0.35 / 0.35	N/A
TG66-S020NX	2CT :1CT	1:1	150 / 150 Min	10	0.9 / 0.3	0.35 / 0.35	TX / RCV
TG87-S020NX	1CT:2	1:1	50 / 200 Min	12	0.3 / 0.3	0.35 / 0.50	N/A
TG88-S020NX	1CT:2CT	1:1	50 / 200 Min	12	0.3 / 0.3	0.35 / 0.50	TX
TG89-S020NX	1CT:2CT	1:1	50 / 200 Min	12	0.3 / 0.3	0.35 / 0.50	TX / RX