

HALO SMD 4.5KV 10BASE-T ISOLATION MODULES

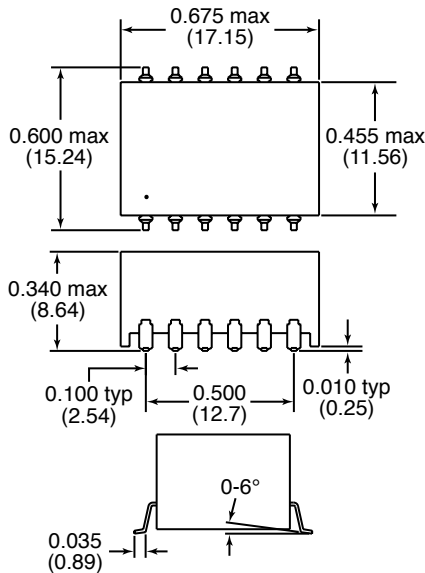
HALO ELECTRONICS, INC.

HALO Electronics is pleased to present this standard series of reinforced insulation 10BASE-T Isolation Modules to meet the requirements 802.3 for UTP applications requiring a high level of isolation, including telecommunications. UL60950, IEC60950 and EN60950 recognized.



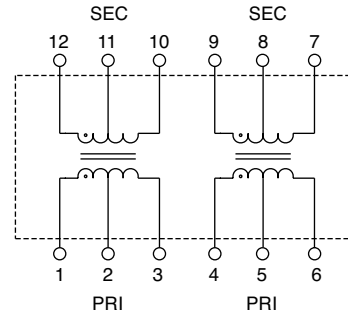
SMD 4.5KV 10BASE-T ISOLATION MODULES

Package NC

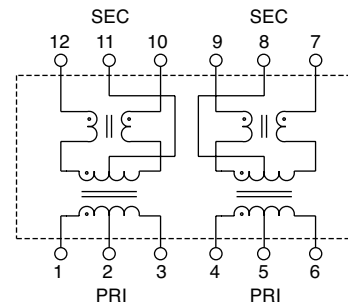


DIMENSIONS : Inch(mm)
CO-PLANARITY : 0.004(0.102)

Schematic A



Schematic B



Electrical Specifications @ 25°C
 Isolation Voltage: 4,500 Vrms
 Insulation Resistance: 10,000 MΩ
 PRI Leakage Inductance: 0.4μH Max.



ROHS-5 compliant parts
are also available

Patented Construction

US Pat Nbrs: 5,656,985
 6,297,721 B1
 6,297,720 B1
 6,320,489 B1
 6,344,785 B1
 6,662,431 B1

Part Number	Turns Ratio ±3% (1-3:12-10) / (4-6:9-7)	Pri OCL (μH)	Cw/w (pF max)	PRI DCR (μH max)	Circuit Schematic
TG41-4006NCRL	(1CT:1CT) / (1CT:2.5CT)	200/35 Min	15	0.5	B
TG42-4406NCRL	(1CT:1CT) / (1CT:√2CT)	140 Typ	12	0.4	A
TG43-4406NCRL	(1CT:1CT) / (1CT:√2CT)	140 Typ	12	0.4	B
TG74-4406NCRL	(1CT:1CT) / (1CT:2CT)	140/25 Typ	15	0.4	A
TG75-4406NCRL	(1CT:1CT) / (1CT:2CT)	140/25 Typ	15	0.4	B
TG92-4006NCRL	(1CT:1CT) / (1CT:2.5CT)	200/35 Min	15	0.5	A