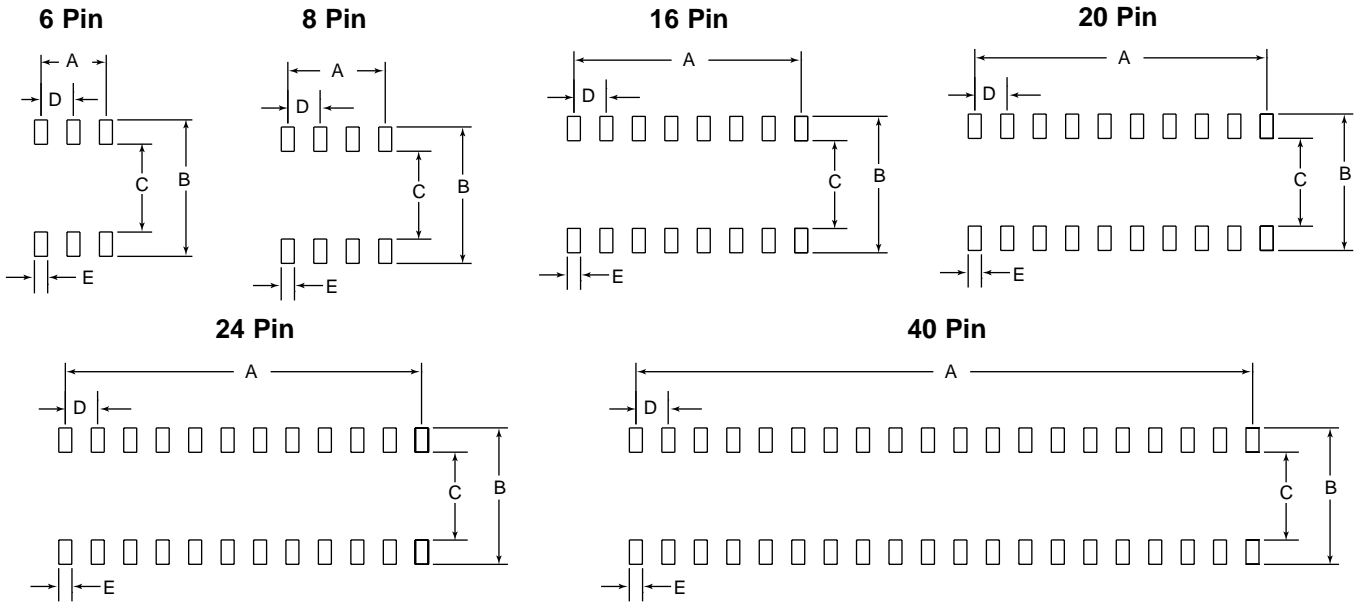


**Recommended PCB layout**



Part Number Suffix	Number of Pins	Designator / Dimensions				
		A	B	C	D	E
J/J1/J2	16	0.350	0.420	0.270	0.050	0.030
N/N1/N2/N5	16	0.350	0.420	0.270	0.050	0.030
NA	6	0.200	0.520	0.370	0.100	0.040
NC	12	0.500	0.640	0.440	0.100	0.040
ND/NL	16	0.700	0.540	0.340	0.100	0.040
NF	8	0.300	0.640	0.440	0.100	0.040
NM	20	0.450	0.420	0.270	0.050	0.030
NS	6	0.200	0.420	0.270	0.100	0.040
NT	8	0.150	0.420	0.270	0.050	0.030
NX	40	0.950	0.670	0.470	0.050	0.030
NZ	24	0.550	0.670	0.470	0.050	0.030
P/P1/P2	16	0.350	0.420	0.270	0.050	0.030
P3	8	0.150	0.420	0.270	0.050	0.030

All dimensions in inches.

**Recommended Infra-Red Reflow Temperature Profile**

Notes:

Maximum Temperature (225°C)  
shall not exceed 10 seconds.

Maximum Duration above 183°C  
shall not exceed 90 seconds.

