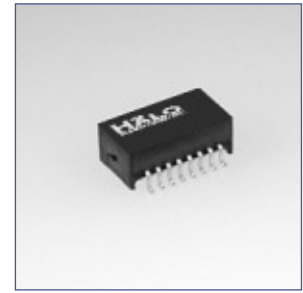
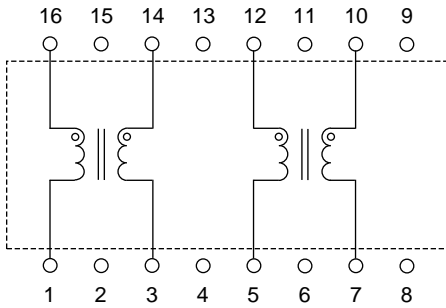


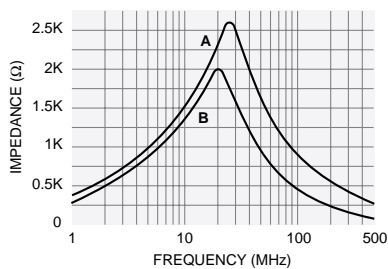
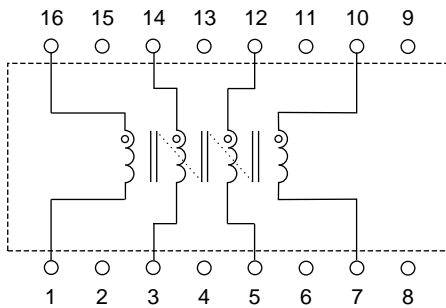
HALO Electronics has developed this standard series of 16 pin SOIC CMC filters to provide flexibility in the management of common mode emissions of Telecom circuits. This series has been designed to be located on the cable side of the protection circuitry. For additional information on other HALO CMR chokes please contact your local HALO representative.



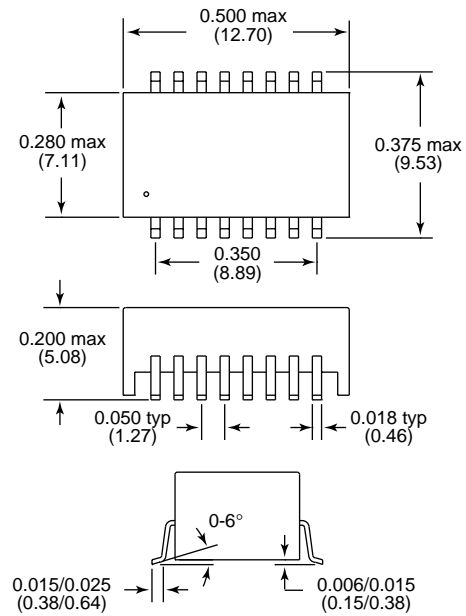
LG01 Circuit



LG11 Circuit



N Package



DIMENSIONS: Inch(mm)
CO-PLANARITY: 0.004(0.102)

Electrical Specifications @ 25°C

Isolation Voltage: 500 Vrms

Part Number	Turns Ratio	OCL (μH)	Cw/w (pF Max.)	DCR (Ω Max.)	Impedance/Freq. Curve (Typ.)
LG01-0346N1	1:1 & 1:1	35 Min.	15	0.30	A
LG11-0346N3*	1:1:1:1	35 Min.	25	0.30	B

* The LG11 series is recommended in remote power feed applications where current may be present on the line.