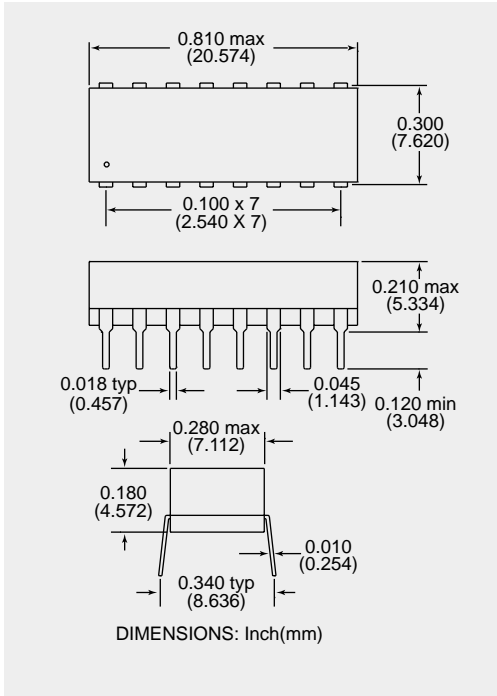


## 16 Pin Triad CMC Filters

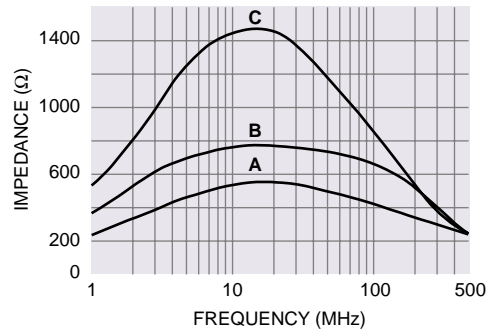
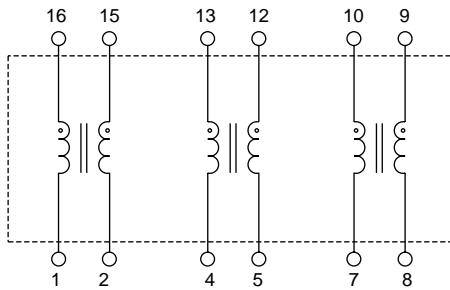
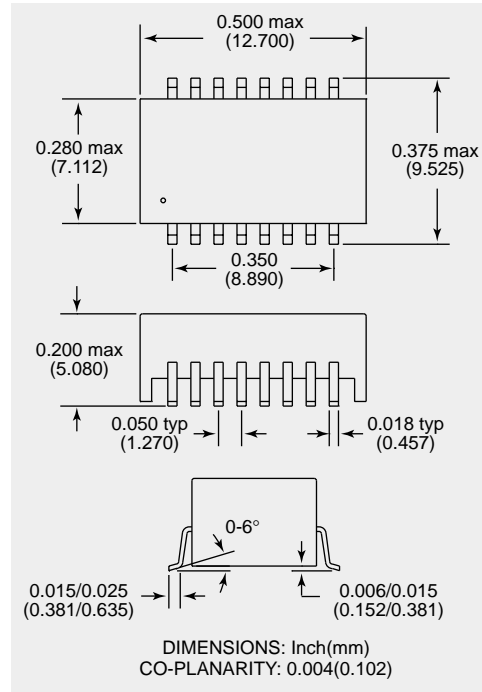


HALO Electronics has developed this standard series of 16 pin triad CMC filters for Data Communications and Telecom applications. Compatible with IEEE 802.3 and 802.5. Available in both DIP and SMD packages.

### DIP Package



### SMD Package



#### Electrical Specifications @ 25°C

Isolation Voltage: 500Vrms  
 Insulation Resistance: 10,000MΩ  
 Turns Ratio (±3%): 1:1, 1:1, 1:1

Part Number	Package	OCL (μH Typ.)	L <sub>L</sub> (μH Max.)	Cw/w (pF Max.)	DCR (Ω Max.)	Impedance/Freq. Curve (Typ.)
LD01-0506K	DIP	50	0.10	8	0.15	A
LD01-0756K	DIP	75	0.13	10	0.17	B
LD01-1006K	DIP	100	0.15	12	0.20	C
LG01-0506N	SMD	50	0.10	8	0.15	A
LG01-0756N	SMD	75	0.10	8	0.17	B
LG01-1006N	SMD	100	0.10	10	0.20	C