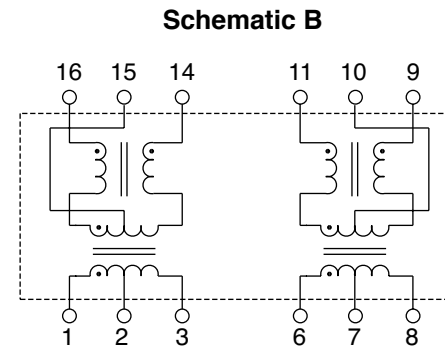
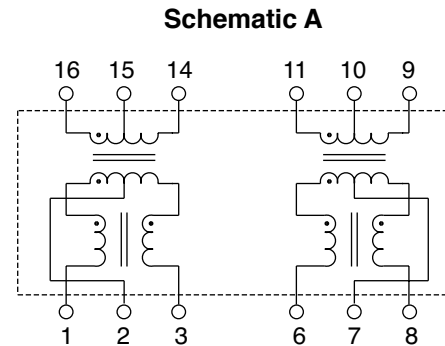
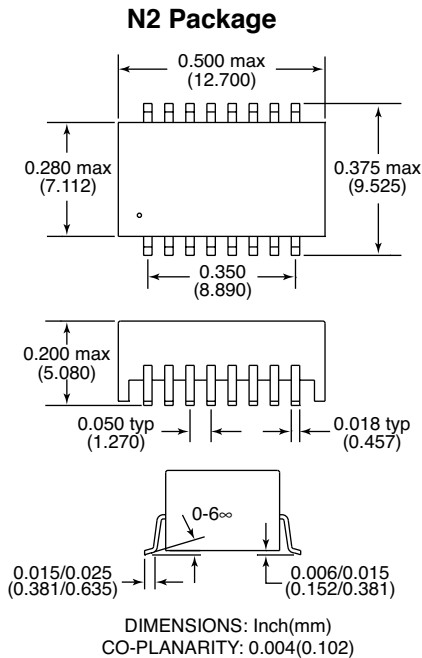


# HALO ELECTRONICS, INC. ULTRA™ Series, 16 Pin SOIC 10/100BASE-TX Magnetic Modules

HALO Electronics has developed the ULTRA™ series of 16 pin SOIC Isolation Modules to meet the requirements of IEEE 802.3 for 10/100BASE-TX and ATM155 applications. Designed to provide a significant real estate reduction at the lowest price. Standard devices are available for all Phy's. Please visit our web site to select the correct device for the corresponding Phy.



Ultra™ Series, 16 Pin SOIC  
10/100BASE-TX Magnetic Modules



**Electrical Specifications @ 25°C**

Isolation Voltage:	1,500Vrms
OCL @100KHz, 8mA:	350μH min
CMR (0.1-100MHz):	-40dB typ
Crosstalk (0.1-100MHz):	-40dB min
Insertion Loss (0.1-100MHz):	-1.1dB max
Return Loss (0.5-30MHz):	-18dB min
(40MHz):	-15.5dB min
(50MHz):	-13.6dB min
(60-80MHz):	-12dB min

**Patented Construction**

US Pat Nbrs:	5,656,985
	6,297,721 B1
	6,297,720 B1
	6,320,489 B1
	6,344,785 B1



RoHS compliant versions are available.  
Specify RoHS compliant product by adding the suffix "RL".

Part Number	Turns Ratio ± 3% (1-3:16-14)/(6-8:11-9)	Circuit Schematic	PRI/SEC Cw/w (pF typ)	PRI LL (μH max)	PRI DCR (Ωmax)
TG110-S050N2	(1CT:1CT) / (1CT:1CT)	A	15	0.4	1.5
TG110-S055N2	(1CT:1CT) / (1CT:1CT)	B	15	0.4	1.5
TG110-S120N2	(2CT:1CT) / (1CT:1CT)	B	15	1.2	.9
TG110-S125N2	(1CT:1CT) / (2CT:1CT)	B	15	1.2	.9
TG110-S131N2	(√2CT:1CT) / (1CT:1CT)	B	15	0.9	.9
TG110-S139N2	(1.25CT:1CT) / (1CT:1CT)	B	15	0.9	.9
TG110-S141N2	(1CT:√2CT) / (1CT:1CT)	B	15	0.4	.9