

Shielded Tab-Down 1x1 RJ45

8P/8C Tab-Down Shielded RJ45 Ethernet Connectors

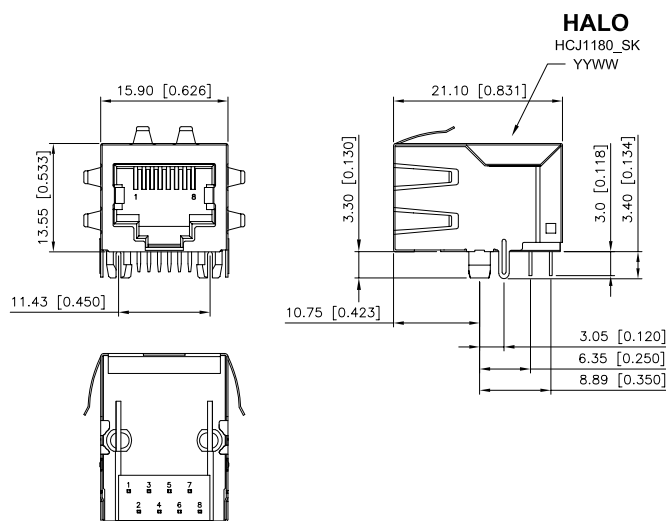


Product Features:

- Shielded RJ45 Connectors
- Minimum of 750 Mating Cycles
- Multiple Gold Contact Plating Options
- DWV - 1500VAC Contact to Shield
- Current Rating - 1.5A
- Voltage Rating - 125V
- UL94V-0 Flammability Rating

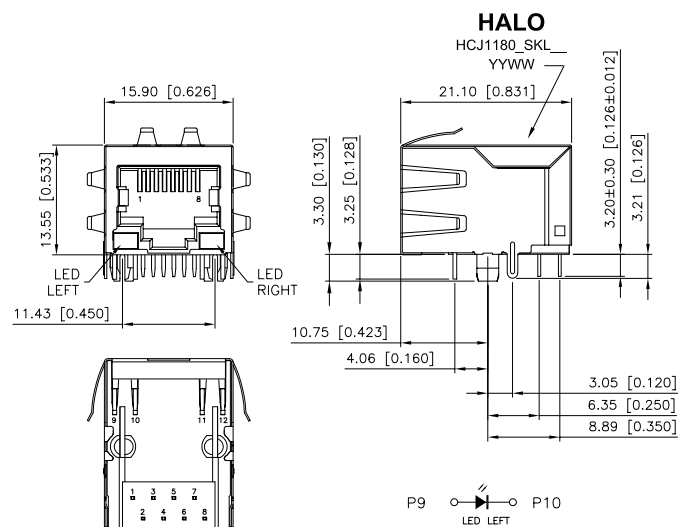
| Part Number | Mechanical/ Footprint | LED's L/R | Contact Plating (min) | Latch Orientation | Operating Temp Range |
|-----------------|--------------------------|--------------|--------------------------|-----------------------|-------------------------|
| HCJ11-802SK | A | None | 6 μ " | Tab-Down - Side Entry | -40°C to +85°C |
| HCJ11-804SK | A | None | 30 μ " | Tab-Down - Side Entry | -40°C to +85°C |
| HCJ11-805SK | A | None | 50 μ " | Tab-Down - Side Entry | -40°C to +85°C |
| HCJ11-802SK-L11 | B | G/G | 6 μ " | Tab-Down - Side Entry | -40°C to +85°C |
| HCJ11-804SK-L11 | B | G/G | 30 μ " | Tab-Down - Side Entry | -40°C to +85°C |
| HCJ11-805SK-L11 | B | G/G | 50 μ " | Tab-Down - Side Entry | -40°C to +85°C |
| HCJ11-802SK-L12 | B | G/Y | 6 μ " | Tab-Down - Side Entry | -40°C to +85°C |
| HCJ11-804SK-L12 | B | G/Y | 30 μ " | Tab-Down - Side Entry | -40°C to +85°C |
| HCJ11-805SK-L12 | B | G/Y | 50 μ " | Tab-Down - Side Entry | -40°C to +85°C |

A - Mechanical (no LED)

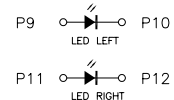


DIMENSIONS: mm [inch]
TOLERANCE: .XX \pm 0.25[0.010]
.X \pm 0.30[0.012]

B - Mechanical (w/ LED)

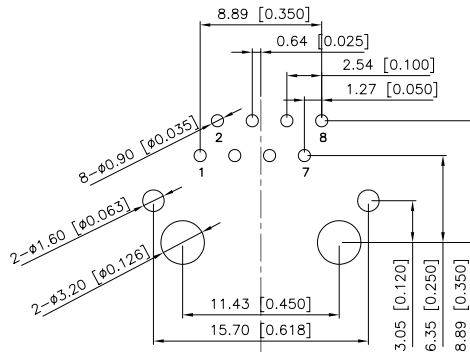


DIMENSIONS: mm [inch]
TOLERANCE: .XX \pm 0.25[0.010]
.X \pm 0.30[0.012]



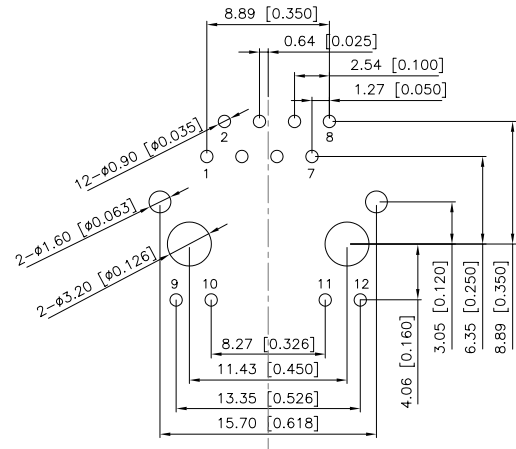
HALO 8P/8C Shielded Tab-Down RJ45

A - Recommended Footprint (no LED)



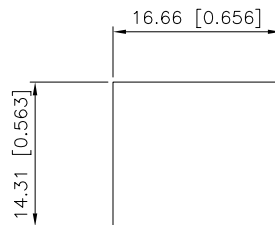
RECOMMENDED PCB LAYOUT (TOP VIEW)
DIMENSIONAL TOLERANCE: $\pm 0.08 [0.003]$

B - Recommended Footprint (w/ LED)



RECOMMENDED PCB LAYOUT (TOP VIEW)
DIMENSIONAL TOLERANCE: $\pm 0.08 [0.003]$

Recommended Panel Cutout



RECOMMENDED
PANEL CUTOUT DIMENSION

Notes:

1. Unshielded, alternate footprints, and EMI tab variations available. Please contact the factory for additional information.
2. LED Colors; G=Green, Y=Yellow. Additional LED colors available.
3. Part specific datasheets upon request



2880 Lakeside Drive #116
Santa Clara, CA 95054
(650) 903-3800
www.haloelectronics.com

HALO® Electronics is a leading supplier of high quality communication magnetics including signal transformers, filters, CMR chokes, PoE power transformers, DC/DC converters, and integrated Ethernet connectors. HALO's leading edge technology solutions are manufactured in ISO9001 and ISO14001 factories offering high quality products at a competitive price.