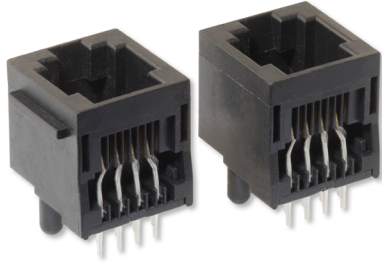


Unshielded Vertical 1x1 RJ45

8P/8C Vertical Unshielded RJ45 Ethernet Connectors



Product Features:

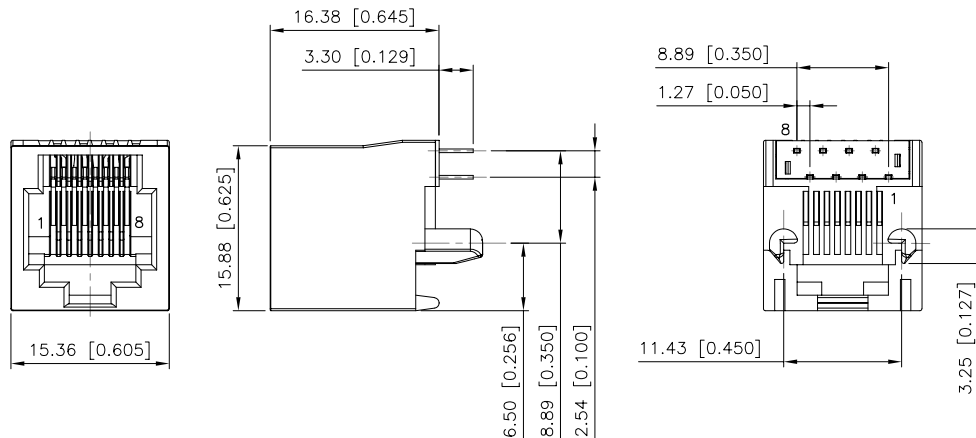
- Unshielded RJ45 Connectors
- Minimum of 750 Mating Cycles
- Multiple Gold Contact Plating Options
- DWV - 1000VAC Contact to Contact
- Current Rating - 1.5A
- Voltage Rating - 125V
- UL94V-0 Flammability Rating

Part Number	Mechanical	Contact Gold Plating (min)	Latch Orientation	Operating Temp Range	Panel Stops
HCJV1-802UK	A	6 μ "	Vertical - Top Entry	-40°C to +85°C	No
HCJV1-804UK	A	30 μ "	Vertical - Top Entry	-40°C to +85°C	No
HCJV1-805UK	A	50 μ "	Vertical - Top Entry	-40°C to +85°C	No
HCJV1-812UK	B	6 μ "	Vertical - Top Entry	-40°C to +85°C	Yes
HCJV1-814UK	B	30 μ "	Vertical - Top Entry	-40°C to +85°C	Yes
HCJV1-815UK	B	50 μ "	Vertical - Top Entry	-40°C to +85°C	Yes

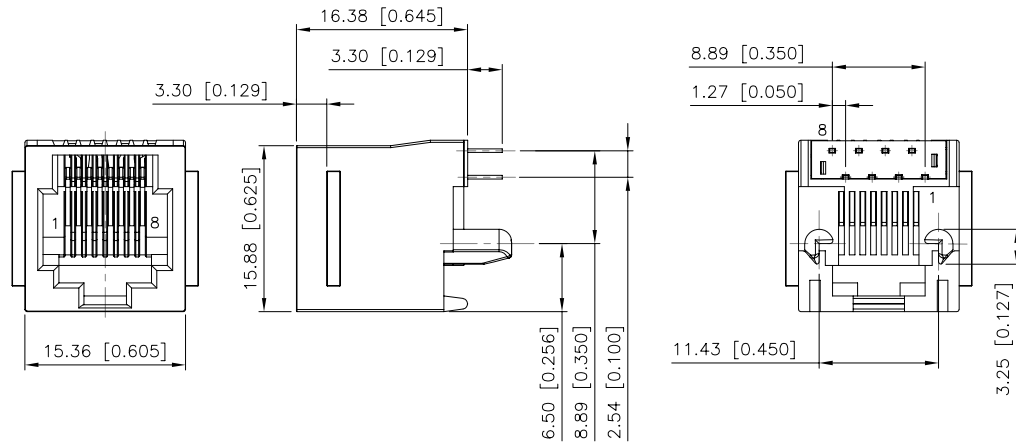
Notes:

1. Shielded and alternate footprint variations available. Please contact the factory for additional information.
2. Part specific datasheets available upon request.

A - Mechanical (w/o panel stops)



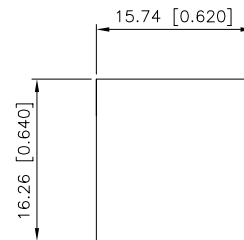
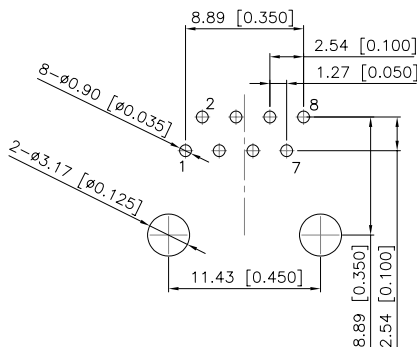
DIMENSIONS: mm [inch]
 TOLERANCE: .xx \pm 0.25 [0.010]
 .x \pm 0.30 [0.012]



DIMENSIONS: mm [inch]
 TOLERANCE: .xx ±0.25 [0.010]
 .x ±0.30 [0.012]

Recommended Footprint

Recommended Panel Cutout



Recommended PCB Layout (Top View)
 Dimensional Tolerance: ±0.08 [0.003]



2880 Lakeside Drive #116
 Santa Clara, CA 95054
 (650) 903-3800
www.haloelectronics.com

HALO® Electronics is a leading supplier of high quality communication magnetics including signal transformers, filters, CMR chokes, PoE power transformers, DC/DC converters, and integrated Ethernet connectors. HALO's leading edge technology solutions are manufactured in ISO9001 and ISO14001 factories offering high quality products at a competitive price.