

1Watt / 5Watt Power Isolation Transformers

Designed for Isolated DC/DC Converter Circuit Applications



Product Features:

- 1500V Isolation
- UL60950 and UL62368 Recognized
- Designed for use with TI SN6505 transformer driver and other DC/DC driver applications

1 Watt Solutions

Part Number	Turns Ratio	ET Constant (min)	PRI OCL (μH Typ)	PRI DCR (ΩMax)	Input Current (mA) Max	Temp. Range
TGDC-240NSLF	1CT:1.33CT	15.2V-μs	360	0.6	200mA	-40 to +85C
TGDC-250NSLF	1CT:1CT	15.2V-μs	360	0.6	200mA	-40 to +85C
TGDC-255NSLF	1CT:1.5CT	15.2V-μs	360	0.6	200mA	-40 to +85C
TGDC-260NSLF	1CT:2CT	15.2V-μs	360	0.6	200mA	-40 to +85C
TGDC-280NSLF	1CT:2.66CT	15.2V-μs	360	0.6	200mA	-40 to +85C
TGDC-S04NSLF ¹	1CT:1.33CT	15.2V-μs	700	0.8	50mA	-55 to +125C

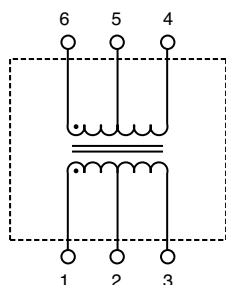
Notes:

1. This part is is rated at 0.3Watts.

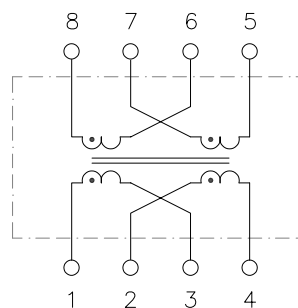
5 Watt (@5V Input) Solutions

Part Number	Turns Ratio	ET Constant (min)	PRI OCL (μH Typ)	PRI DCR (ΩMax)	Input Current (mA) Max	Temp. Range
TGDC-H40NFLF	1:1:1.33:1.33	18V-μs	200	0.2	1000mA	-40 to +85C
TGDC-H50NFLF	1:1:1:1	15.2V-μs	140	0.2	1000mA	-40 to +85C
TGDC-H55NFLF	1:1:1.5:1.5	18V-μs	200	0.2	1000mA	-40 to +85C
TGDC-H60NFLF	1:1:2:2	15.2V-μs	140	0.2	1000mA	-40 to +85C
TGDC-H80NFLF	1:1:2.66:2.66	18V-μs	200	0.2	1000mA	-40 to +85C

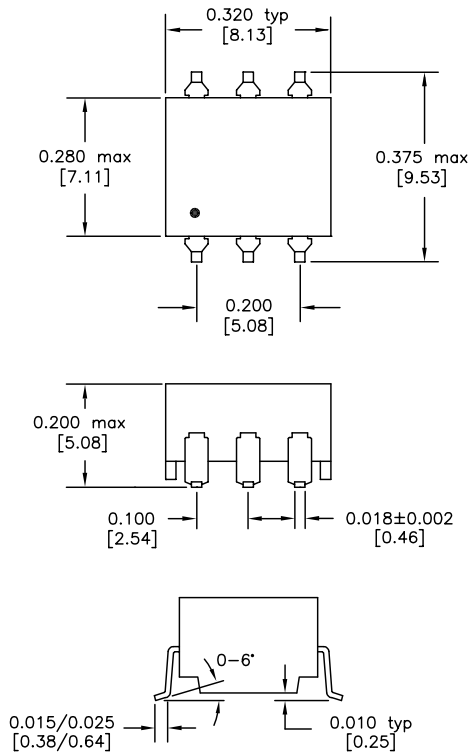
1 Watt Circuit (NS)



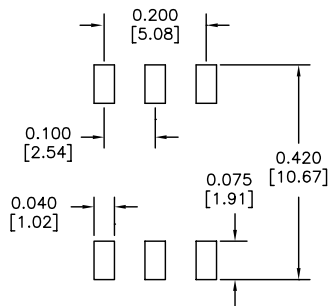
5 Watt Circuit (NF)



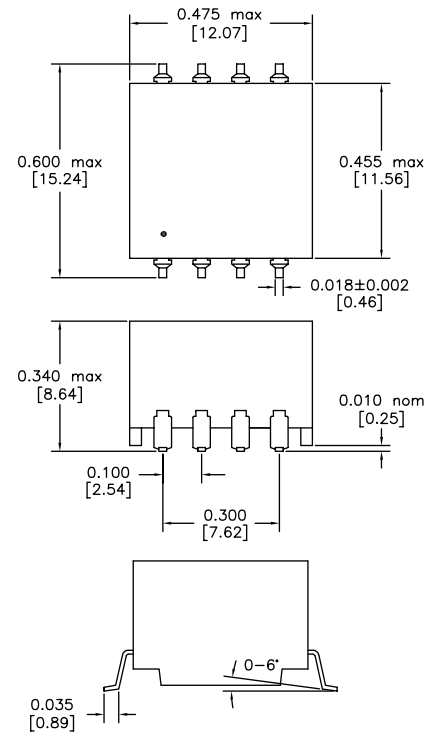
1W Package - NS (6-Pin)



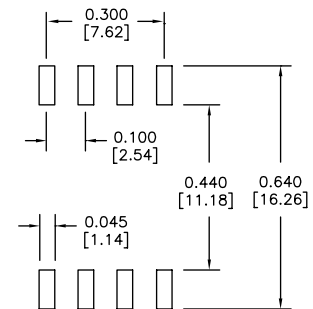
Recommended Solder Pad



5W Package - NF (8-Pin)



Recommended Solder Pad



Dimensions: inch [mm]

Co-Planarity: 0.004 [0.10]



(650) 903-3800

www.haloelectronics.com

HALO® Electronics is a leading supplier of high quality communication magnetics including signal transformers, filters, CMR chokes, PoE power transformers, DC/DC converters, and integrated Ethernet connectors. HALO's leading edge technology solutions are manufactured in ISO9001 and ISO14001 factories offering high quality products at a competitive price.

© Copyright 2025 HALO Electronics, Inc. All rights reserved.

Download the latest version at <https://www.haloelectronics.com/pdf/discrete-dc2dc-tgdc-sn6505.pdf>