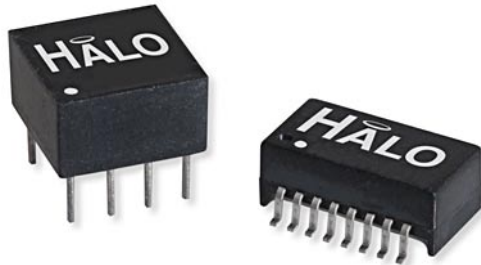


Dual 1:1 CMC Filters

DIL and SMD Packages



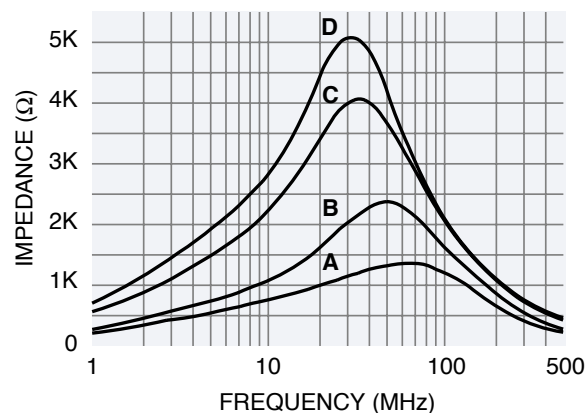
Product Features:

- Standard series of dual CMC filters for Data Communications and Telecom applications.
- These devices should be located on the LIU side of the protection circuitry in Telecom products.
- 500Vrms Hi-Pot
- UL recognized materials

Part Number	Package	OCL (μH)	Cw/w (pF max)	DCR (Ω max)	Impedance/Freq. Curve (Typ.)	Temp Range
LG01-0346N1LF	SMD	35 Min.	15	0.30	B	-40 to +85 °C
LD01-0166F4LF	DIL	16 Min.	15	0.25	A	0 to +70 °C
LD01-0366F4LF	DIL	36 Min.	20	0.25	B	0 to +70 °C
LG01-0356N1LF	SMD	35 Min.	10	0.30	B	-40 to +85 °C
LG01-0856N1LF	SMD	85 Typ.	20	0.55	C	-40 to +85 °C
LG01-1006N1LF	SMD	100 Typ.	25	0.65	D	-40 to +85 °C

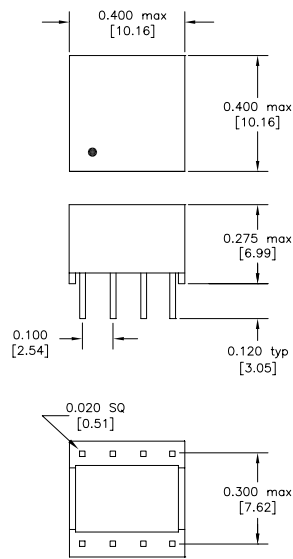
Notes:

1. Not recommended for applications providing remote power feed.
2. LF suffix is RoHS compliant and Pb-Free. RL suffix is RoHS compliant (exemption 7a, expected to expire July 2016)



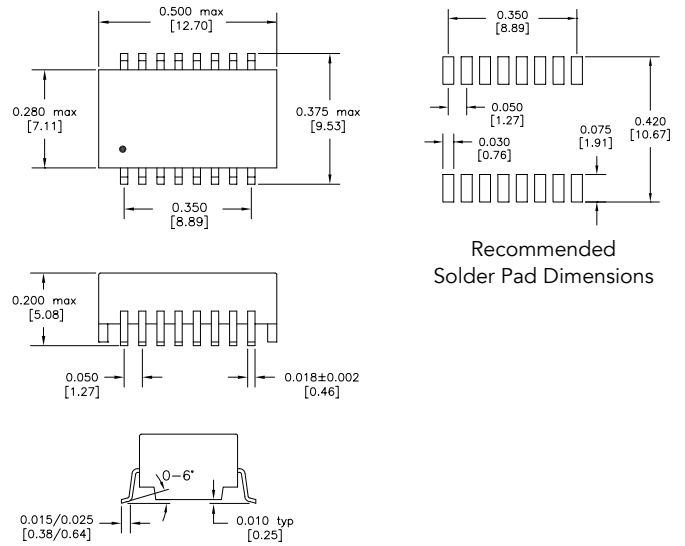
Dual 1:1 CMC Filters

DIL Package (F4)



Dimensions: inches [mm]

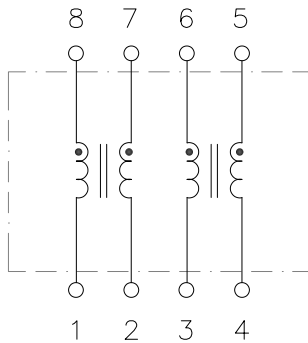
SMD Package (N)



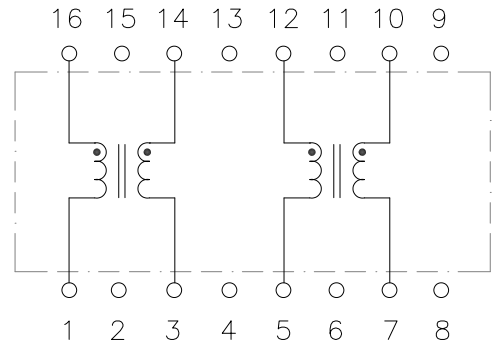
Recommended Solder Pad Dimensions

Dimensions: inches [mm]
Co-Planarity: 0.004 [0.10]

Schematic for DIL Package



Schematic for SMD Package



US Patent Numbers for SMD products
5,656,985 6,297,721 B1
6,297,720 B1 6,320,489 B1
6,344,785 B1 6,662,431 B1



2880 Lakeside Drive #116
Santa Clara, CA 95054
(650) 903-3800
www.haloelectronics.com

HALO® Electronics is a leading supplier of high quality communication magnetics including signal transformers, filters, CMR chokes, PoE power transformers, DC/DC converters, and integrated Ethernet connectors. HALO's leading edge technology solutions are manufactured in ISO9001 and ISO14001 factories offering high quality products at a competitive price.