



Product Features:

- 2.5G and 5G Ethernet RJ45
- IEEE802.3bz Compliant
- Compatible with Voltage Mode PHYs
- 100% Compliance Testing
- 1500Vrms Hi-Pot
- 30µ" Gold (min) on Contacts
- UL60950 and UL62368 Recognized

2.5G Part Numbers							
Standard Temp (0 to 70°C)	Extended Temp (-40 to +85°C)	LED's (L/R)	Return Loss (min)				PHY Drive
			1-40MHz	60MHz	80MHz	100MHz	
HFJ11-2G48ERL	HFJ11-E2G48ERL	None	-18dB	-14.5dB	-12dB	-10dB	Voltage
HFJ11-2G48E-L11RL	HFJ11-E2G48E-L11RL	G/G	-18dB	-14.5dB	-12dB	-10dB	Voltage
HFJ11-2G48E-L12RL	HFJ11-E2G48E-L12RL	G/Y	-18dB	-14.5dB	-12dB	-10dB	Voltage

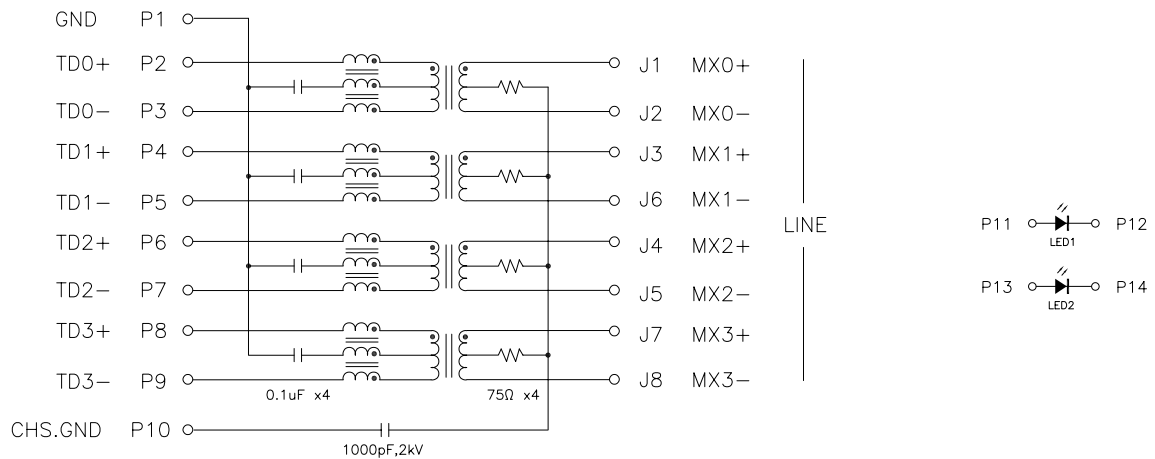
5G Part Numbers							
Standard Temp (0 to 70°C)	Extended Temp (-40 to +85°C)	LED's (L/R)	Return Loss (min)				PHY Drive
			1-40MHz	100MHz	200MHz	250MHz	
HFJ11-5G48ERL	HFJ11-E5G48ERL	None	-18dB	-13dB	-10dB	-8dB	Voltage
HFJ11-5G48E-L11RL	HFJ11-E5G48E-L11RL	G/G	-18dB	-13dB	-10dB	-8dB	Voltage
HFJ11-5G48E-L12RL	HFJ11-E5G48E-L12RL	G/Y	-18dB	-13dB	-10dB	-8dB	Voltage

Notes:

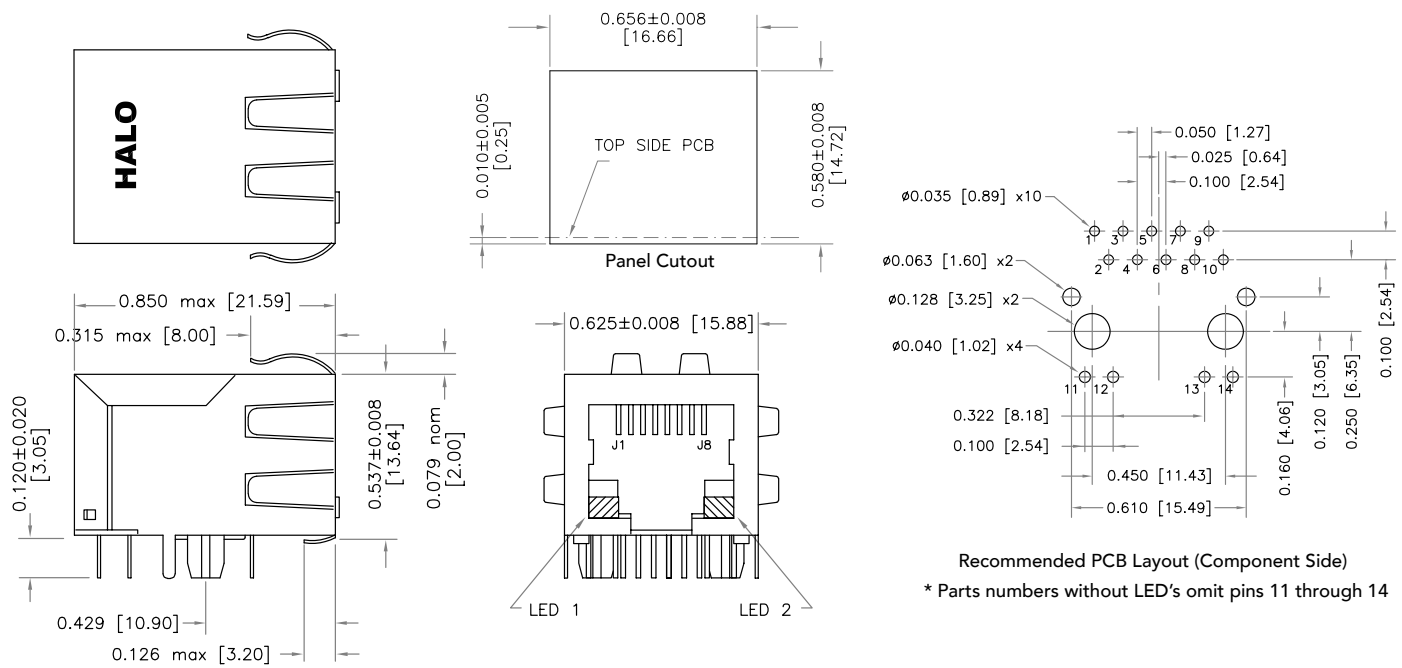
1. LED Key : G = Green, Y = Yellow
2. Other LED colors, bi-colors, polarities, and current limiting versions available
3. Part specific datasheets available upon request
4. Footprint interchangeable with other HALO Gigabit tab-down FastJacks
5. For 2.5G and 5G PoE applications please visit [fastjack-longbody-poe-2g5g.pdf](#)

HALO Short Body 2.5G and 5G Ethernet Family of FastJacks

Circuit Diagram



Mechanical



Dimensions are in inch [mm]



2880 Lakeside Drive #116
 Santa Clara, CA 95054
 (650) 903-3800
www.haloelectronics.com

HALO® Electronics is a leading supplier of high quality communication magnetics including signal transformers, filters, CMR chokes, PoE power transformers, DC/DC converters, and integrated Ethernet connectors. HALO's leading edge technology solutions are manufactured in ISO9001 and ISO14001 factories offering high quality products at a competitive price.