



Product Features:

- Gigabit (10/100/1000) Ethernet RJ45
- IEEE802.3ab Compliant
- 350uH min OCL at 8mA DC Bias Across the Full Temp Range
- 30µ" Gold Plating (min) on Contacts
- 100% Compliance Testing
- 1500Vrms Hi-Pot

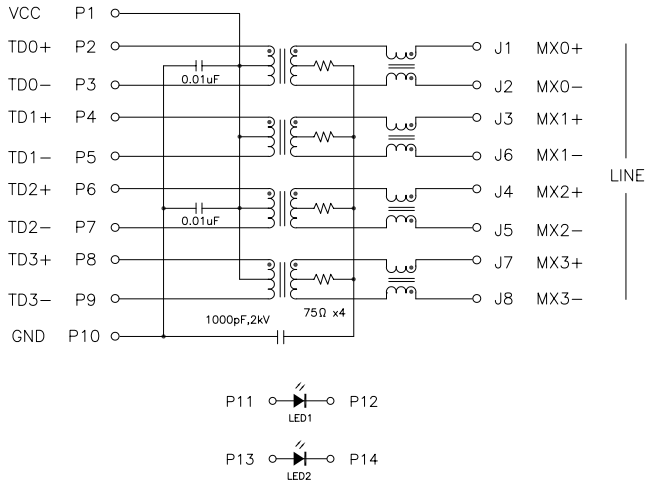
Part Number		Ports	Circuit	LED's (L/R)	Return Loss (min)				PHY Drive
Standard Temp (0 to 70°C)	Extended Temp (-40 to +85°C)				1-40MHz	60MHz	80MHz	100MHz	
HFJ12-1G11ERL	HFJ12-E1G11ERL	2	A	None	-18dB	-14dB	-12dB	-10dB	Current
HFJ12-1G11ER-L11RL	HFJ12-E1G11ER-L11RL	2	A	G/G	-18dB	-14dB	-12dB	-10dB	Current
HFJ12-1G16ERL	HFJ12-E1G16ERL	2	B	None	-18dB	-14dB	-12dB	-10dB	Current
HFJ12-1G16ER-L11RL	HFJ12-E1G16ER-L11RL	2	B	G/G	-18dB	-14dB	-12dB	-10dB	Current
HFJ12-1G41ERL	HFJ12-E1G41ERL	2	C	None	-18dB	-14dB	-12dB	-10dB	Voltage
HFJ12-1G41ER-L11RL	HFJ12-E1G41ER-L11RL	2	C	G/G	-18dB	-14dB	-12dB	-10dB	Voltage
HFJ12-1G46ERL	HFJ12-E1G46ERL	2	D	None	-18dB	-14dB	-12dB	-10dB	Voltage
HFJ12-1G46ER-L11RL	HFJ12-E1G46ER-L11RL	2	D	G/G	-18dB	-14dB	-12dB	-10dB	Voltage
HFJ14-1G11ERL	HFJ14-E1G11ERL	4	A	None	-18dB	-14dB	-12dB	-10dB	Current
HFJ14-1G11ER-L11RL	HFJ14-E1G11ER-L11RL	4	A	G/G	-18dB	-14dB	-12dB	-10dB	Current
HFJ14-1G16ERL	HFJ14-E1G16ERL	4	B	None	-18dB	-14dB	-12dB	-10dB	Current
HFJ14-1G16ER-L11RL	HFJ14-E1G16ER-L11RL	4	B	G/G	-18dB	-14dB	-12dB	-10dB	Current
HFJ14-1G41ERL	HFJ14-E1G41ERL	4	C	None	-18dB	-14dB	-12dB	-10dB	Voltage
HFJ14-1G41ER-L11RL	HFJ14-E1G41ER-L11RL	4	C	G/G	-18dB	-14dB	-12dB	-10dB	Voltage
HFJ14-1G46ERL	HFJ14-E1G46ERL	4	D	None	-18dB	-14dB	-12dB	-10dB	Voltage
HFJ14-1G46ER-L11RL	HFJ14-E1G46ER-L11RL	4	D	G/G	-18dB	-14dB	-12dB	-10dB	Voltage

Notes:

1. LED Key : G = Green
2. Other LED colors, bi-colors, polarities, and current limiting versions available
3. Part specific datasheets available

HALO Gigabit Ethernet Family of FastJacks

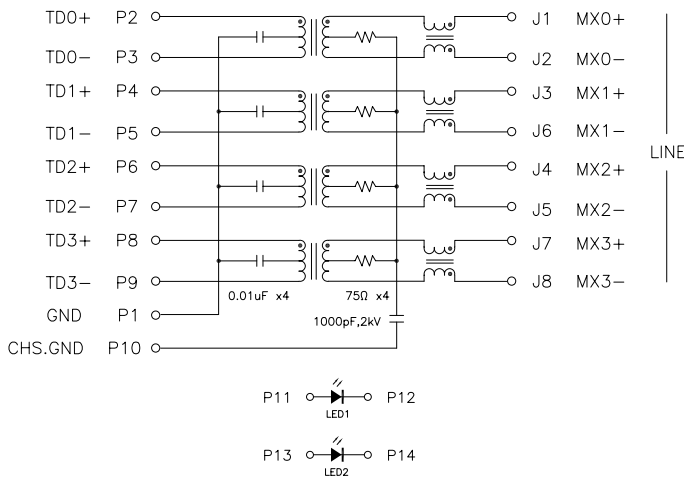
Circuit A



Circuit B



Circuit C



Circuit D



HALO Gigabit Ethernet Family of FastJacks

HFJ12 Mechanical - Without LED's



HFJ12 Mechanical - With LED's



