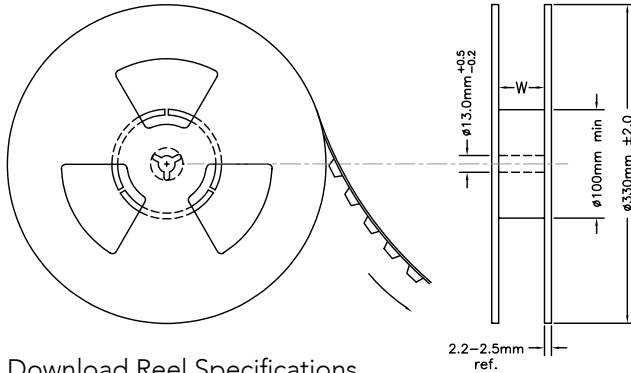
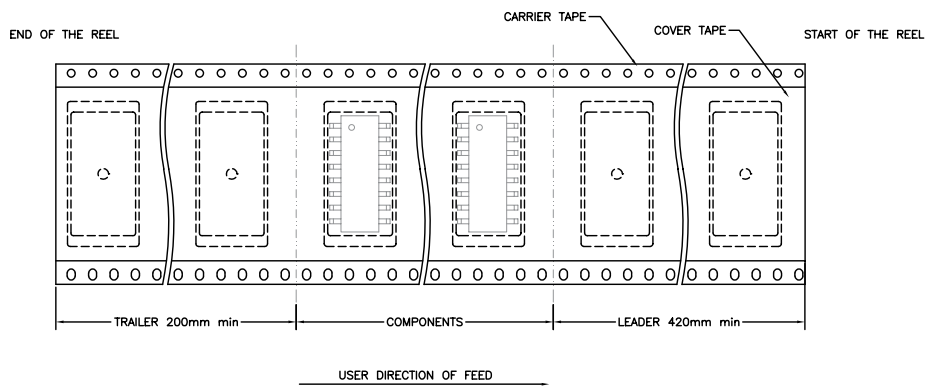


SMD Discrete Transformers T/R Carrier Tape Specifications



Carrier Tape Width	W +2.0/-0.0
16mm	16.4mm
24mm	24.4mm
32mm	32.4mm
44mm	44.4mm
56mm	56.4mm

[Download Reel Specifications](#)



Package Type	Qty Per Reel (pcs)	Carrier Tape Width (mm)	Pitch (mm)	Link to Tape Specifications
C6	1400	32	12	Carr32-C6.pdf
DCxx - Single Out	500	32	16	Carr32-S-DC.pdf
DCxx - Dual Out	500	32	16	Carr32-D-DC.pdf
EFD15	200	44	28	Carr44-EFD15.pdf
EFD20	120	56	28	Carr56-EFD20.pdf
EFD25	70	56	36	Carr56-EFD25.pdf
EP7(L)	300	32	20	Carr32-EP7-L.pdf
EP7(S8)	300	32	20	Carr32-EP7-S8.pdf
EP10	200	44	20	Carr44-EP10.pdf
EP13	150	44	24	Carr44-EP13.pdf
J/J1/J2	1200	24	12	Carr24-J.pdf
J24	650	24	24	Carr24-J24.pdf
L6	1100	24	12	Carr24-L6.pdf
L8	1200	24	12	Carr24-L8.pdf
L24	900	32	16	Carr32-L24.pdf
N/N1/N2/N3	1000	24	12	Carr24-N.pdf
N5	700	24	12	Carr24-N5.pdf

SMD Discrete Transformers T/R Carrier Tape Specifications



Package Type	Qty Per Reel (pcs)	Carrier Tape Width (mm)	Pitch (mm)	Link to Tape Specifications
N6	500	32	16	Carr32-N6.pdf
N12	500	32	24	Carr32-N12.pdf
NA	500	24	16	Carr24-NA.pdf
NC	300	32	24	Carr32-NC.pdf
ND	300	44	16	Carr44-ND.pdf
NF	300	32	24	Carr32-NF.pdf
NH	150	56	32	Carr56-NH.pdf
NJ	400	32	24	Carr32-NJ.pdf
NJ30	300	32	24	Carr32-NJ30.pdf
NL	500	44	16	Carr44-NL.pdf
NM5	500	24	16	Carr24-NM5.pdf
NS	1000	16	12	Carr16-NS.pdf
NS8	1000	24	12	Carr24-NS8.pdf
NT	1000	16	12	Carr16-NT.pdf
NU	450	44	16	Carr44-NU.pdf
NV	200	44	28	Carr44-NV.pdf
NV6	250	44	24	Carr44-NV6.pdf
NW	300	44	20	Carr44-NW.pdf
NX	300	44	24	Carr44-NX.pdf
NY	350	32	24	Carr32-NY.pdf
NYN	330	32	20	Carr32-NYN.pdf
NZ	400	32	24	Carr32-NZ.pdf
NZ5	310	32	28	Carr32-NZ5.pdf
NZ6	300	32	24	Carr32-NZ6.pdf
P/P1/P2	2000	24	12	Carr24-P.pdf
P3	2000	24	12	Carr24-P3.pdf
PH/PH1/PH2	1500	24	12	Carr24-PH.pdf
S6	1000	24	12	Carr24-S6.pdf
S24	900	32	16	Carr32-S24.pdf
V6	300	32	20	Carr32-V6.pdf
V8	250	44	20	Carr44-V8.pdf
V12	200	44	24	Carr44-V12.pdf
VS8	500	24	16	Carr24-VS8.pdf



Santa Clara, CA
(650) 903-3800

www.haloelectronics.com

HALO® Electronics is a leading supplier of high quality communication magnetics including signal transformers, filters, CMR chokes, PoE power transformers, DC/DC converters, and integrated Ethernet connectors. HALO's leading edge technology solutions are manufactured in ISO9001 and ISO14001 factories offering high quality products at a competitive price.